



Dr. BALASAHEB SAWANT KONKAN KRISHI VIDYAPEETH,  
**COLLEGE OF AGRICULTURAL ENGINEERING AND TECHNOLOGY,**  
Dapoli 415712, Dist: Ratnagiri (MS)

Off: (02358)282414

Fax: (02358) 282414

No. CAET/ FMP /PU/ 2044 / of 2022

Date: 7 OCT 2022

To,

\_\_\_\_\_  
\_\_\_\_\_  
\_\_\_\_\_

Sub: Quotation for 'Vaibhav' sickles ....

Sir,

This College intends to purchase following material. Therefore, you are requested to please send us the quotation in sealed envelope with terms and conditions of sales and payment, so as to reach this office on or before dated ... 15/11/2022

If you are an authorized dealer or manufacturer please submit the respective certificate. Please quote the reference no. on envelop. The leaflets of said items, if any may please be send alongwith the quotation. The specification of the items and required quantity is as shown below.

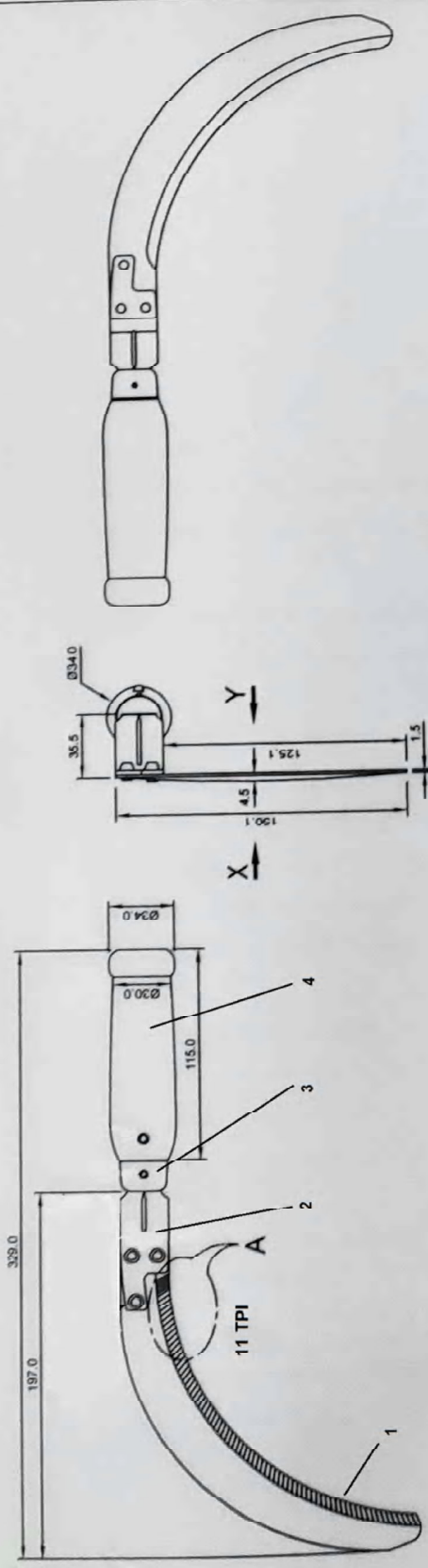
S.N.	Material Description	Quantity	Rate (Rs.)
1.	'Vaibhav' sickles as per our specifications	4200 Nos.	

The quotation may please be sent in the favour of Associate Dean, College of Agricultural Engineering and Technology, Dapoli so as to reach this office as earliest.

Thanking you,

Yours faithfully,

  
Associate Dean



VIEW: X

VIEW: Y

Sr. No.	Description	Material	Qty.
1	Blade	MS Sheet	
2	Tong	MS Sheet	
3	Ferrule	MS Sheet	
4	Handle	Wood	

Drawn by: Girish  
 Checked by: Kishor Dhande  
 Scale: 1:1  
 Remark:  
 (All dimensions are in mm)

# VAIBHAV SICKLE

Fig. No.: 000

Material: